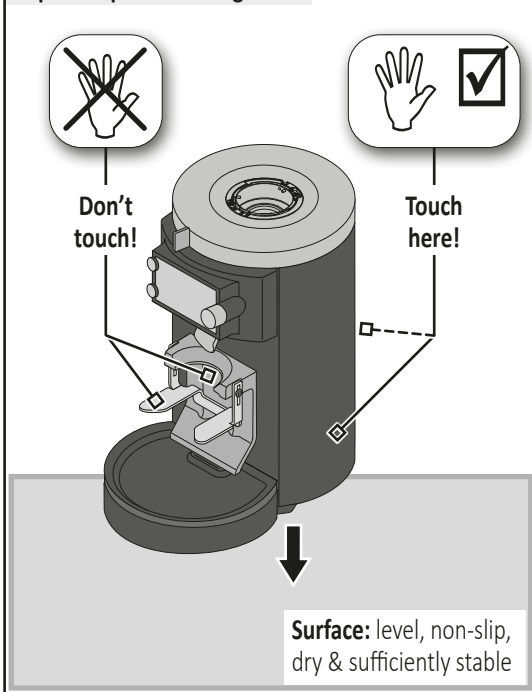
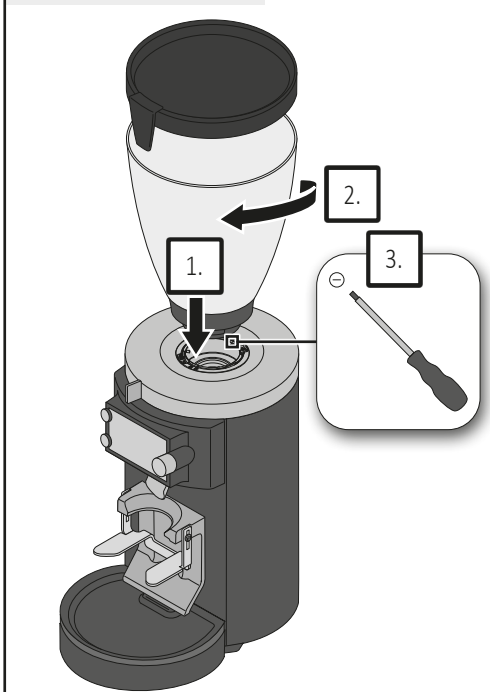


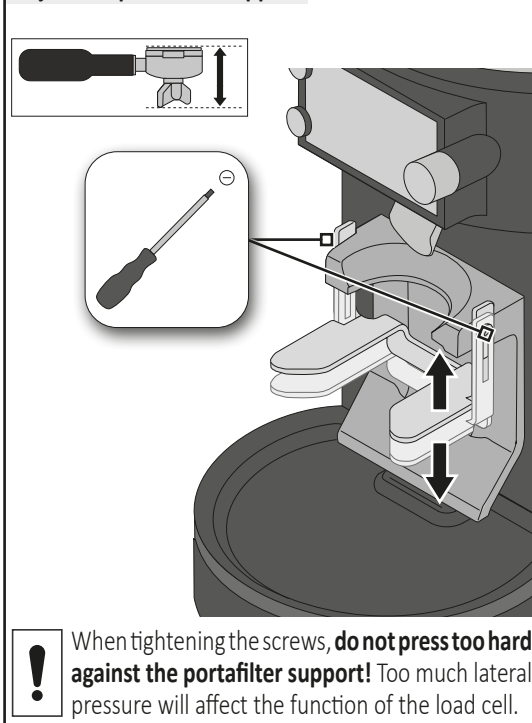
Unpack & position the grinder



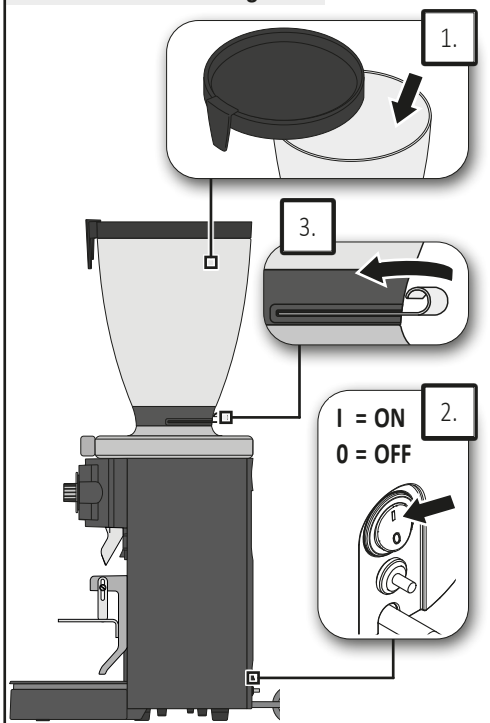
Insert the bean container



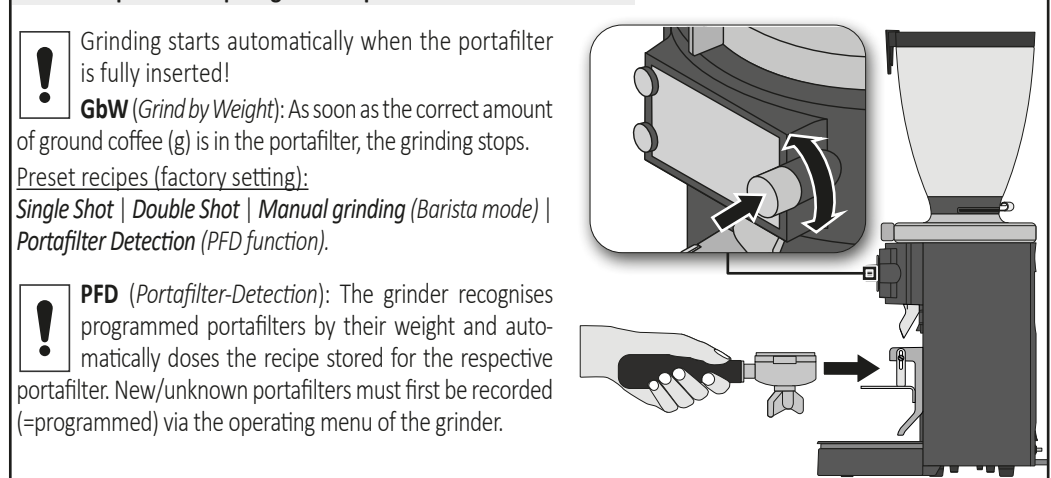
Adjust the portafilter support



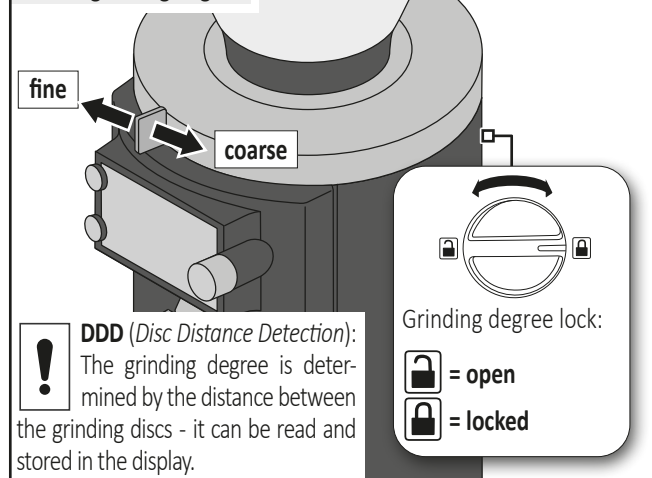
Load beans & switch on grinder



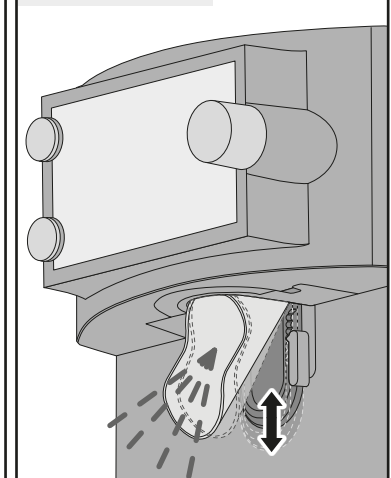
Insert the portafilter | Program the portafilter for PFD function



Set the grinding degree



Set the coffee flow



Calibrate the load cell (as required)

